



HIVE

ENG

ELECTRIC SAUNA HEATER

3-12

FR

POËLE ÉLECTRIQUE POUR SAUNA

15-24



IPX4



info@huumsauna.com

www.huumsauna.com

HIVE

ELECTRIC SAUNA HEATER Installation and operation manual

NB! The following instructions for electrical works must be carried out by a certified electrician.

NB! We recommend a specialist to lay the stones on the heater.

NB! This appliance is not intended for use by persons (including children) with reduced physical, sensory or mental capabilities, or lack of experience and knowledge, unless they have been given supervision or instruction concerning use of the appliance by a person responsible for their safety.

NB! Children should be supervised to ensure that they do not play with the appliance.

NB! The installation instructions for appliances for public saunas that do not have a timer shall state that a pilot lamp showing that the heater is switched on is to be installed in the attendant's room. The previously provided manual does not contain this information.

The safety of the products is based on EN 60335-2-53: 2011 "Household and similar electrical appliances. Safety. Part 2-53: Particular requirements for sauna heating appliances and infrared cabins".

The HUUM HIVE electric sauna heater delivery set contains:

- electric heater;
- installation and operation manual for the electric heater.

NB! The electric heater also requires a control panel and stones.

THINGS TO CHECK BEFORE INSTALLATION

- Does the output (kW) match the volume (ft³/m³) of the sauna room? See Table 1-2.
- In case there are any uninsulated brick, tile or glass walls in the sauna room, an additional volume of 53 ft³ (1.5 m³) should be added to the sauna room for each such square meter of the wall.
- The suitable output of the heater will be determined based on that volume according to Table 1-2.
- The producer's warranty guarantee is invalid if the heater and sauna room have been dimensioned incorrectly!
- Minimal safe distances between the sauna room's ceiling and walls to consider in installing the electric heater are listed in Table 3.

INSTALLATION

Positioning the heater

- The heater must be positioned in such a way that there is a safe distance between flammable materials and the heater.
- The heater must be installed in a way that prevents people from having physical contact with the heater or that dangerous situations could emerge during the heating process.
- The heater holds approximately 550 lb (250 kg) of stones.
- The inputs of the power cable are on the bottom cover of the heater.

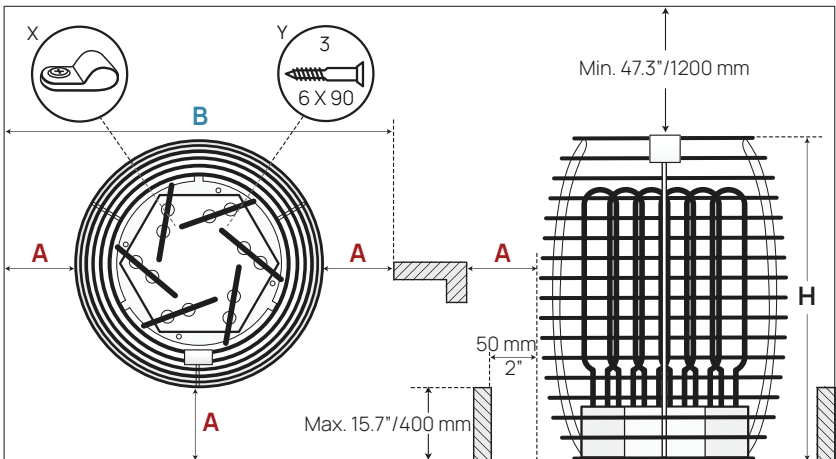


Table 1	Output kW (240V)	Room	Amps A	Circuit Breaker A	Wire size AWG
HIVE 6	6	176.6-282 ft ³ 5-8 m ³	25	30	10
HIVE 9	9	317.8-530 ft ³ 9-15 m ³	37,5	50	8
HIVE 10.5	10.5	353.1-706.3 ft ³ 10-20 m ³	43,75	50	6
HIVE 12	12	424-883 ft ³ 12-25 m ³	50	30 + 30	10 + 10
HIVE 15	15	530-1060 ft ³ 15-30 m ³	62,5	50 + 50	8 + 8
HIVE 18	18	636-1236 ft ³ 18-35 m ³	75	50 + 50	8 + 8

Table 2	Output kW (208V)	Room	Amps A	Circuit Breaker A	Wire size AWG
HIVE 6	4.5	132-212 ft ³ 3.75-6 m ³	21.63	30	10
HIVE 9	6.75	230-388 ft ³ 6.5-11 m ³	32.45	40	8
HIVE 10.5	7.9	265-530 ft ³ 7.5-15 m ³	37.98	50	6
HIVE 12	9	318-662 ft ³ 9-18.75 m ³	43.27	30 + 30	10 + 10
HIVE 15	11.25	388-795 ft ³ 11-22.5 m ³	54.09	40 + 40	8 + 8
HIVE 18	13.5	477-918 ft ³ 13.5-26 m ³	64.90	40 + 40	8 + 8

Table 3	Ø	H	A	B	Weight	Quantity of stones*
HIVE 6	18.11 in 460 mm	29.53 in 750 mm	2.37 in 60 mm	22.83 in 580 mm	30.9 lb 14 kg	10 x 33 lb 10 x 15 kg
HIVE 9	18.11 in 460 mm	29.53 in 750 mm	3.55 in 90 mm	25.2 in 640 mm	35.3 lb 16 kg	10 x 33 lb 10 x 15 kg
HIVE 10.5	18.11 in 460 mm	29.53 in 750 mm	4.33 in 110 mm	26.8 in 680 mm	35.3 lb 16 kg	10 x 33 lb 10 x 15 kg
HIVE 12	22.05 in 560 mm	29.53 in 750 mm	4.73 in 120 mm	31.5 in 800 mm	44.1 lb 20 kg	17 x 15 lb 17 x 15 kg
HIVE 15	22.05 in 560 mm	29.53 in 750 mm	5.9 in 150 mm	33.86 in 860 mm	46.3 lb 21 kg	17 x 15 lb 17 x 15 kg
HIVE 18	22.05 in 560 mm	29.53 in 750 mm	7.1 in 180 mm	36.22 in 920 mm	48.5 lb 22 kg	17 x 15 lb 17 x 15 kg

* Subtract 66 lb (30 kg) stones from the quantity given in the table in case your heater has airtunnel, as it fits less stones.

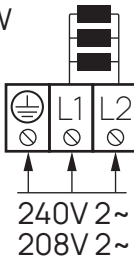
Connecting the heater to the power supply

- A method to disconnect all poles from the mains (a circuit breaker) must be installed on the power circuit before the sauna controller.
- Only a certified electrician is allowed to connect the heater to the power supply.
- The power cable of the heater must meet the requirements of UL 62 in US and CSA 49 in Canada.
- It is recommended to connect the unit to the mains without an earth-leakage circuit breaker.
- The maximum current intensity in the cross-sectional area of the cable and circuit breaker are listed in Table 2.
- The cable must be secured to the clamp on the cover screw.

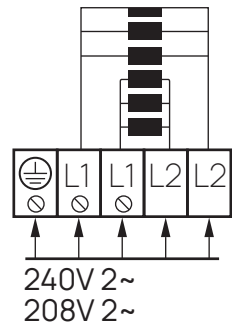
Attention! It is forbidden to use a non-heat-resistant cable with PVC isolation as the power cable. The joint box must be waterproof and it must be located up to 19.7 in (50 cm) from the floor.

- Open the cover of the heater's electrical box.
- Attach the power cable on the terminal block according to the circuit diagram.
- Close the cover.
- Fix the cable on the output with a cable strap.

HIVE 6 kW
HIVE 9 kW

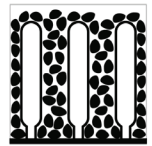
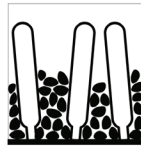
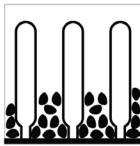


HIVE 12 kW
HIVE 15 kW
HIVE 18 kW



Fitting the stones

- Make sure that the heating elements are not bent during the process.
- There must be sufficient air circulation around the heater elements.
- Stack the stones sparsely between the heating elements. If the stones have been stacked too close to each other, the heating elements may overheat (= shorter useful life) and slow the heating of the sauna.
- Stones with a diameter of 1.97-3.94 in (5-10 cm) are suitable for the heater.
- The stones on the external surface of the heater must be stacked close to one another. The heating elements must not be visible.
- Using ceramic stones in the HIVE heater is allowed at the user's responsibility.



ATTENTION! IF THE STONE CONTAINER IS FILLED TOO SPARSELY, IT POSES A FIRE HAZARD!

NB! We recommend a specialist to lay the stones on the heater.

Before switching the heater on, the insulation resistance might prove to be lower than the standard. The reason for that is the moisture that seeped into the insulating layer during storage in the warehouse and transportation.

The moisture evaporates after the electric heater has been heated for 1-2 hours.

CONTROLLING THE HEATER

All certified control panels with thermal control may be used in controlling the heater. The output of the heater must remain in the interval determined by the control panel's producer.

Product can be used only with controlunit with timer function. Including other than those for installation in public saunas, shall be provided with a timer. For appliances for use in blocks of flats, hotels and similar locations, the operating period of the sauna heater shall be limited to 12 h with a minimum rest period of 6 h before any automatic restarting. For other appliances, the operating period of the timer shall be limited to 6 h, automatic restarting not being allowed.

GUARD RAILS

- It is recommended to construct a guard rail around the heater. We recommend using materials with low heat capacity and bad thermal conductivity for the guard rail.
- Upon using flammable materials, it is necessary to leave the specified minimal safety clearances between the heater and flammable constructions.

ATTENTION! IF THE HEATER IS INSTALLED CLOSER TO FLAMMABLE CONSTRUCTIONS THAN AT THE DISTANCE OF THE MINIMAL REQUIRED PROTECTION BELT IT MAY CAUSE A FIRE HAZARD!

SAUNA ROOM

Wall materials and insulating the sauna room

In a sauna with electric heating, all massive heat accumulating wall surfaces (brick, glass brick, rendering etc.) must be insulated to use the electric heater with a regular output.

The sauna wall and ceiling construction is considered to be sufficiently insulated:

- a carefully installed insulation wool layer of 4 in, minimum 2 in (100 mm, min. 50 mm);
- the construction is damp proofed with taped aluminium paper or other reflective material;
- there is a 0.4 in (10 mm) air gap between the damp protection and boarding
- light wooden boards with about a 0.5-0.65 in (12-16 mm) thickness have been used for interior finishing;
- there is an air gap of at least 0.2 in (5 mm) on the edge of the ceiling panels at the upper part of the wall panelling.

In order to use the heater with a regular output, it would be practical to bring the ceiling of the sauna lower regular 83 - 91 in, min. height of sauna room 78.7 in (2100-2300 mm, min. height of sauna room 2000 mm) so that the volume of the sauna room diminishes. The ceiling is insulated with an insulation layer at least 4 in (100 mm) thick and boarded according to the method described above. Wood should be used to cover internal surfaces; an exception may be made for heat resistant walls in the vicinity of the heater.

ATTENTION! Insulating the warm masonry wall has to be approved by a fire inspector. It is prohibited to insulate flues that are in use!

ATTENTION! Covering the walls or floor with light protective material, for example, mineral tiles that are installed directly on the surface of the walls or ceiling might cause the dangerous overheating of the wall or ceiling material.

Floor of the sauna room

The heater stones in use crumble due to temperature changes. The pieces breaking away from the heater stones and pebbles are washed on the sauna floor with the steam-making water. Pieces of hot stone may damage plastic flooring under and near the heater. Heater stone particles and spray from the steam-making water (e.g., with iron content) may absorb into the light joints of a tile floor. In order to avoid aesthetic damage (caused by the reasons mentioned above), ceramic tiles and dark joint filler should be used under and around the heater.

Ventilation of the sauna

- In order to guarantee a sufficient supply of oxygen and fresh air, the sauna's ventilation must be as efficient as possible. It is advisable to direct the fresh air into the sauna room from above the heater stones.
- As an alternative, the fresh air may be directed in from under the heater.
- The air inlet must be equipped with an adjustable valve.
- The exhaust valve must be installed in the opposite wall from the inlet valve at least 7.9 in (20 cm) above the height of the inlet valve.
- It is advised to install a ventilation valve at the upper part of the sauna room for the final ventilation.

WARNING!

- Before turning on the electric heater, always check the sauna room and heater.
- The heater may be used only when it has been correctly filled with stones.
- Do not cover the heater—this causes fire hazard.
- Do not touch a working heater, it causes burns.
- Incorrect ventilation of the sauna room may dry the wood too much and cause a fire hazard in the sauna.
- Only tap water may be used for making steam.
- Never make steam by using a water hose.
- There must always be at least 2 in (5 cm) of fireproof heat insulation under the boarding.
- Sauna doors must always open outwards.
- Do not use the sauna for a purpose it is not intended for.
- Do not install more than one heater into the sauna room.
- Undiluted sauna essences etc. may ignite when poured directly onto the stones.
- Do not leave small children unattended in the sauna.
- Sudden cooling after staying in the steam room is not recommended for people with poor health. Consult a doctor.
- Enjoy the sauna as long as it is comfortable for you.
- Keep this information at a safe place.
- The product's warranty guarantee does not extend to heating elements.

WARRANTY

Buyer is obligated to read user manual and follow instructions and requirements presented. Damage to the product caused by not following instructions and requirements will void warranty.

If any defects are found on the product, where manufacturer can be blamed, then buyer has the right to demand fixing or replacing the product. Demands must be made not later than 5 years after buying the product. Purchase receipt needs to be presented when warranty demands are made.

Warranty Terms:

- Warranty applies only to electric heaters that have been used according to the manual.
- NB! Warranty does not cover heating elements. They are considered as consumable parts.
- Warranty does not cover wear that occurs from natural usage.
- Warranty does not cover defects or wear caused by planned use.
- Warranty does not imply when:
 - damage or defects are caused by transportation or other actions not controlled by manufacturer.
 - product has been damaged by carelessness or overload
 - product has not been installed correctly
 - product has been modified in any way
 - warranty period is over
 - product is not complete

All demands shall be presented directly to reseller or using e-mail for Canada: canada.support@huumsauna.com or for USA: usa.support@huumsauna.com

Find the latest updates on our website www.huumsauna.com

HIVE

POÊLE ÉLECTRIQUE POUR SAUNA

Manuel d'installation et d'utilisation

NB! Les instructions mentionnées ci-après relatives aux travaux électriques doivent être effectuées par un électricien agréé.

NB! Il est recommandé de confier la pose des pierres sur le réceptacle à un spécialiste.

NB! Cet appareil ne doit pas être utilisé par des personnes (y compris des enfants) dont les capacités physiques, sensorielles ou mentales sont diminuées, ou encore qui manquent d'expérience et de connaissances, à moins qu'elles n'aient été supervisées ou instruites sur l'utilisation de l'appareil par une personne responsable de leur sécurité.

NB! Les enfants doivent être surveillés afin qu'ils ne puissent pas jouer avec cet appareil.

NB! Les instructions concernant l'installation d'appareils pour saunas publics qui ne sont pas équipés d'une minuterie doivent mentionner l'obligation d'installer dans la pièce attenante du sauna un voyant lumineux indiquant que le poêle est allumé. Le manuel qui était fourni précédemment ne contient pas ces informations.

La sécurité des produits est conforme à la norme EN 60335-2-53 : 2011 «Appareils électriques ménagers et analogues. Sécurité. Partie 2-53 : Règles particulières pour les appareils de chauffage de saunas et les cabines infrarouges».

Le kit de livraison du poêle électrique HUUM HIVE pour sauna contient:

- un poêle électrique
- un manuel d'installation et d'utilisation pour le poêle électrique

NB! Le poêle électrique nécessite une unité de commande et des pierres.

POINTS À VÉRIFIER AVANT L'INSTALLATION

- La puissance (kW) est-elle adaptée au volume (ft³/m³) du sauna? See Table 1. Voir tableau 1-2.
- Si le sauna comporte des parois non isolées en briques, en carrelages ou en verre, il convient d'ajouter un volume supplémentaire de 53 ft³ (1.5 m³) au sauna pour chaque mètre carré de paroi.
- La puissance appropriée du poêle est déterminée au tableau 1-2 en fonction du volume de la pièce.
- La garantie du producteur n'est pas applicable si le poêle et le ont mal été dimensionnés!
- Le tableau 3 indique les distances minimales de sécurité qui doivent être respectées entre le plafond et les parois du sauna lors de l'installation du poêle électrique.

INSTALLATION

Mise en place du poêle

- Le poêle doit être placé de manière à ce qu'il y ait une distance de sécurité entre les matériaux inflammables et le poêle.
- Le poêle doit être installé de manière à éviter qu'il ne soit en contact physique avec des personnes ou que des situations dangereuses ne surviennent pendant le processus de chauffage
- Le poêle peut contenir environ 550 lb (250 kg) de pierres.
- Les entrées du câble d'alimentation se trouvent sur le couvercle inférieur du poêle.

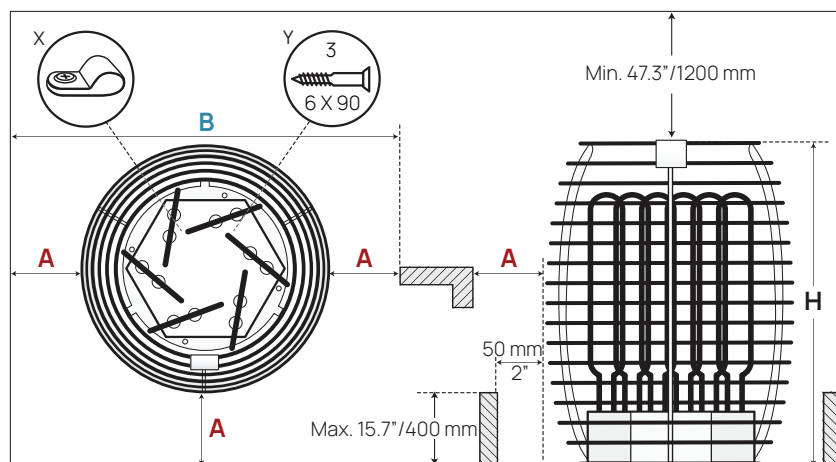


Tableau 1	Sortie kW (240V)	Pièce	Amps A	Disjoncteur A	Taille du câblage AWG
HIVE 6	6	176.6-282 ft ³ 5-8 m ³	25	30	10
HIVE 9	9	317.8-530 ft ³ 9-15 m ³	37,5	50	8
HIVE 10.5	10.5	353.1-706.3 ft ³ 10-20 m ³	43,75	50	6
HIVE 12	12	424-883 ft ³ 12-25 m ³	50	30 + 30	10 + 10
HIVE 15	15	530-1060 ft ³ 15-30 m ³	62,5	50 + 50	8 + 8
HIVE 18	18	636-1236 ft ³ 18-35 m ³	75	50 + 50	8 + 8

Tableau 2	Sortie kW (208V)	Pièce	Amps A	Disjoncteur A	Taille du câblage AWG
HIVE 6	4.5	132-212 ft ³ 3.75-6 m ³	21.63	30	10
HIVE 9	6.75	230-388 ft ³ 6.5-11 m ³	32.45	40	8
HIVE 10.5	7.9	265-530 ft ³ 7.5-15 m ³	37.98	50	6
HIVE 12	9	318-662 ft ³ 9-18.75 m ³	43.27	30 + 30	10 + 10
HIVE 15	11.25	388-795 ft ³ 11-22.5 m ³	54.09	40 + 40	8 + 8
HIVE 18	13.5	477-918 ft ³ 13.5-26 m ³	64.90	40 + 40	8 + 8

Tableau 3	Ø	H	A	B	Poids	Quantité de pierres*
HIVE 6	18.11 in 460 mm	29.53 in 750 mm	2.37 in 60 mm	22.83 in 580 mm	30.9 lb 14 kg	10 x 33 lb 10 x 15 kg
HIVE 9	18.11 in 460 mm	29.53 in 750 mm	3.55 in 90 mm	25.2 in 640 mm	35.3 lb 16 kg	10 x 33 lb 10 x 15 kg
HIVE 10.5	18.11 in 460 mm	29.53 in 750 mm	4.33 in 110 mm	26.8 in 680 mm	35.3 lb 16 kg	10 x 33 lb 10 x 15 kg
HIVE 12	22.05 in 560 mm	29.53 in 750 mm	4.73 in 120 mm	31.5 in 800 mm	44.1 lb 20 kg	17 x 15 lb 17 x 15 kg
HIVE 15	22.05 in 560 mm	29.53 in 750 mm	5.9 in 150 mm	33.86 in 860 mm	46.3 lb 21 kg	17 x 15 lb 17 x 15 kg
HIVE 18	22.05 in 560 mm	29.53 in 750 mm	7.1 in 180 mm	36.22 in 920 mm	48.5 lb 22 kg	17 x 15 lb 17 x 15 kg

* Si votre poêle est doté d'un conduit d'arrivée d'air, veuillez utiliser 66 lb (30 kg) de pierres en moins par rapport à la quantité indiquée dans le tableau.

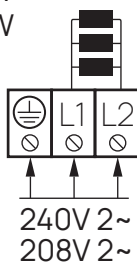
Raccordement du poêle à l'alimentation électrique

- Un dispositif de déconnexion de tous les pôles du réseau d'alimentation (un disjoncteur) doit être raccordé au circuit électrique avant l'unité de commande du sauna.
- Seul un électricien agréé est autorisé à raccorder le poêle à l'alimentation électrique.
- Le câble d'alimentation du poêle doit répondre aux exigences de la norme UL 62 aux États-Unis et CSA 49 au Canada.
- Il est recommandé de raccorder l'appareil au réseau sans dispositif à courant différentiel résiduel.
- L'intensité maximale du courant dans la section transversale du câble et du disjoncteur est indiquée au tableau 2.
- Le câble doit être sécurisé en le fixant à l'aide de l'attache présente sur la vis du couvercle.

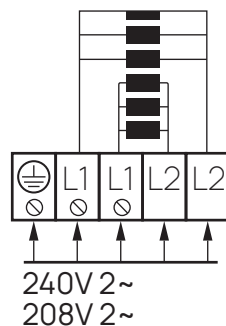
Attention! It is forbidden to use a non-heat-resistant cable with PVC isolation as the power cable. The joint box must be waterproof and it must be located up to 19.7 in (50 cm) from the floor.

- ouvrez le couvercle du boîtier électrique du poêle.
- Raccordez le câble d'alimentation au bornier selon le schéma ci-dessous.
- Fermez le couvercle.
- Fixez le câble sur la sortie avec un serre-câble.

HIVE 6 kW
HIVE 9 kW

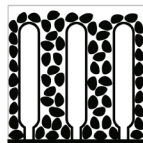
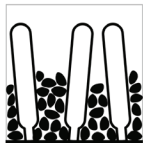
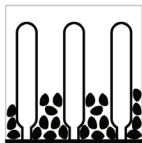


HIVE 12 kW
HIVE 15 kW
HIVE 18 kW



Remplissage du poêle avec des pierres

- Veillez à ce que les éléments chauffants ne soient pas endommagés pendant le remplissage.
- Il faut qu'il y ait une circulation d'air suffisante autour des éléments chauffants.
- Empilez les pierres de façon clairsemée entre les éléments chauffants. Si les pierres ont été empilées trop près les unes des autres, les éléments chauffants peuvent surchauffer (= durée de vie utile plus courte) et ralentir le chauffage du sauna.
- Les pierres convenant au poêle sont d'un diamètre compris entre 1.97-3.94 in (5-10 cm).
- Sur la surface extérieure du poêle, les pierres doivent être empilées les unes à côté des autres. Il ne faut pas que les éléments chauffants soient visibles.
- L'utilisation de pierres céramiques dans le poêle HIVE est autorisée sous la seule responsabilité de l'utilisateur.



ATTENTION! SI LE COMPARTIMENT À PIERRES EST TROP PEU REMPLI, IL PRÉSENTE UN RISQUE D'INCENDIE!

NB! Il est recommandé de confier la pose des pierres sur le réceptacle à un spécialiste.

Avant d'allumer le poêle, la résistance d'isolation peut s'avérer inférieure à la norme. Cela s'explique par l'humidité qui s'infiltré dans la couche isolante lors du stockage dans l'entrepôt et le transport.

L'humidité s'évapore après avoir été chauffée pendant 1 à 2 heures par le poêle électrique.

COMMANDE DU POÊLE

Toutes les unités de commande certifiées dotées d'un contrôle thermique peuvent être utilisées pour commander le poêle. La puissance du poêle doit rester dans l'intervalle déterminé par le fabricant de l'unité de commande.

Le produit ne peut être utilisé qu'avec une unité de commande dotée d'un minuteur. Ceux qui ne sont pas destinés à être installés dans des saunas publics doivent également être munis d'un minuteur. Pour les appareils destinés à être utilisés dans des immeubles, des hôtels et des lieux similaires, la durée de fonctionnement du poêle est limitée à 12 h, avec une période de repos minimale de 6 h avant tout redémarrage automatique. Pour les autres appareils, la durée de fonctionnement du minuteur est limitée à 6 h, le redémarrage automatique n'étant pas autorisé.

BARRIÈRE DE SÉCURITÉ

- Il est recommandé d'installer une barrière de sécurité tout autour du poêle. Nous recommandons d'utiliser des matériaux ayant une faible capacité thermique et une mauvaise conductivité thermique pour la barrière de sécurité.
- Lors de l'utilisation de matériaux inflammables, il convient de respecter les distances de sécurité minimales imposées entre le poêle et les constructions inflammables.

ATTENTION! LE NON-RESPECT DES DISTANCES MINIMALES REQUISES LORS DE L'INSTALLATION D'UN POÊLE AUGMENTE LE RISQUE D'INCENDIE!

SAUNA

Revêtements muraux et isolation du sauna

Dans un sauna chauffé à l'électricité, toutes les surfaces murales qui accumulent énormément de chaleur (brique, brique de verre, plâtre, etc.) doivent être isolées pour pouvoir faire fonctionner le poêle électrique à une puissance moyenne.

La construction des cloisons et du plafond du sauna est considérée comme suffisamment isolée lorsque:

- une laine de verre de 4 in (100 mm) d'épaisseur (minimum 2 in (50 mm)) a soigneusement été installée;
- la construction est protégée contre l'humidité par du papier d'aluminium ou un autre matériau réfléchissant;
- il y a un espace de 0.4 in (10 mm) entre la protection contre l'humidité et le revêtement intérieur en bois.
- la finition intérieure est faite avec des planches de bois légères de 0.5 à 0.65 in (12–16 mm) d'épaisseur environ;
- il y a un espace d'au moins 0.2 in (5 mm) sur le bord des panneaux de plafond à la partie supérieure du revêtement mural.

Afin d'optimiser l'utilisation du poêle, il conviendrait d'abaisser le plafond du sauna (hauteur normale 82.7 à 90.6 in (2100 à 2300 mm), hauteur minimal 78.7 in (2000 mm) afin d'en réduire le volume. Le plafond doit être isolé par une couche d'isolation d'au moins 4 in (100 mm) d'épaisseur et revêtu de panneaux comme il est indiqué ci-dessus. Les surfaces intérieures doivent être recouvertes de bois, à l'exception des murs résistants à la chaleur situés près du poêle.

ATTENTION! L'isolation d'un mur de maçonnerie chaud doit être approuvée par un inspecteur de sécurité incendie. Il est interdit d'isoler les conduits qui sont en cours d'utilisation!

ATTENTION! Le revêtement des murs ou du plafond avec des matériaux incombustibles, par exemple des carreaux minéraux qui sont posés directement sur la surface des murs ou du plafond, peut provoquer une grave surchauffe du matériau des murs ou du plafond.

Revêtement de sol du sauna

Les pierres chauffantes utilisées s'effritent en raison des changements de température. Les fragments qui se détachent des pierres du poêle et les petits cailloux sont lavés par la vapeur d'eau sur le sol du sauna. Les fragments de pierre chaude peuvent endommager les revêtements de sol en plastique sous et autour du poêle. Les éclats de pierre chauffés et les projections de vapeur d'eau (contenant du fer, par exemple) peuvent s'infiltrer dans les joints de couleur claire d'un carrelage au sol. Afin d'éviter les dommages esthétiques (causés pour les raisons mentionnées ci-dessus), il convient d'utiliser du carrelage en céramique et du mastic de jointement foncé au-dessous et autour du poêle.

Ventilation du sauna

- Afin d'assurer un apport suffisant d'oxygène et d'air frais, la ventilation du sauna doit être la plus efficace possible. Il est conseillé de diriger l'air frais entrant dans le sauna vers le dessus des pierres chauffantes.
- L'entrée d'air peut également être placée sous le poêle du sauna.
- L'entrée d'air doit être équipée d'un clapet réglable.
- Le clapet d'évacuation d'air doit être installé dans la paroi opposée au clapet d'admission à au moins 7.9 in (20 cm) plus haut que la hauteur de celui-ci.
- Il est conseillé d'installer un clapet de ventilation supplémentaire dans la partie supérieure du sauna afin de ventiler complètement la pièce.

AVERTISSEMENTS!

- Avant d'allumer le poêle électrique, veuillez toujours vérifier le sauna et le poêle.
- Le poêle ne peut être utilisé que lorsqu'il a été correctement rempli de pierres.
- Ne couvrez pas le poêle: risque d'incendie.
- Ne touchez pas un poêle allumé: risque de brûlure.
- Une mauvaise ventilation du sauna risque de trop sécher le bois et d'y provoquer un risque d'incendie.
- N'utilisez que de l'eau du robinet pour produire de la vapeur.
- Ne faites jamais de vapeur en utilisant un tuyau d'arrosage.
- Il doit toujours y avoir au moins 2 in (5 cm) d'isolant thermique, résistant au feu, sous le plancher.
- Les portes du sauna doivent toujours s'ouvrir vers l'extérieur.
- N'utilisez pas le sauna pour un usage auquel il n'est pas destiné.
- N'installez pas plus d'un poêle dans le sauna.
- Les essences parfumées non diluées et autres peuvent s'enflammer lorsqu'elles sont versées directement sur les pierres.
- Ne laissez jamais de jeunes enfants seuls dans le sauna.
- Le refroidissement soudain après un séjour dans le sauna n'est pas recommandé pour les personnes à la santé fragile. Demandez conseil à un médecin.
- Profitez du sauna aussi longtemps que vous vous y sentez à l'aise.
- Conservez ces informations dans un endroit sûr.
- La garantie du produit ne couvre pas les éléments chauffants.

GARANTIE

L'acheteur est obligé de lire le manuel utilisateur et de suivre les instructions et les contraintes présentées. Un dommage au produit provoqué par un non-suivi des instructions et des contraintes résiliera la garantie.

Si un défaut quelconque est découvert sur le produit, qui peut être imputé au fabricant, alors l'acheteur a le droit de demander une réparation ou un remplacement du produit. Les demandes doivent être effectuées dans un délai maximal de 5 ans après l'achat du produit. Le reçu d'achat doit être présenté lorsque les demandes de garantie sont effectuées.

Conditions de garantie:

- La garantie s'applique uniquement aux appareils de chauffage qui ont été utilisés conformément au manuel.
- NB! La garantie ne couvre pas les éléments de chauffage. Ils sont considérés comme des pièces consommables.
- La garantie ne couvre pas l'usure qui se produit à cause d'une utilisation naturelle.
- La garantie ne couvre pas les défauts ou l'usure provoquée par une utilisation planifiée.
- La garantie ne s'applique pas lorsque:
 - des dommages ou des défauts sont provoqués par le transport ou d'autres actions non contrôlés par le fabricant
 - le produit a été endommagé par négligence ou par surcharge
 - le produit n'a pas été installé correctement
 - le produit a été modifié de quelque manière que ce soit
 - la période de garantie est passée
 - le produit est incomplet

Pour toutes questions ou demandes veuillez contacter le revendeur ou les envoyer par courriel à l'adresse support@huumsauna.com pour le Canada ou usa.support@huumsauna.com pour les États-Unis.

Vous trouverez sur notre site web toutes les informations dont vous avez besoin www.huumsauna.com

NOTES

REMARQUES

NOTES
REMARQUES

HUUM

 **OF SAUNA**



[#huumsauna](#)



www.huumsauna.com